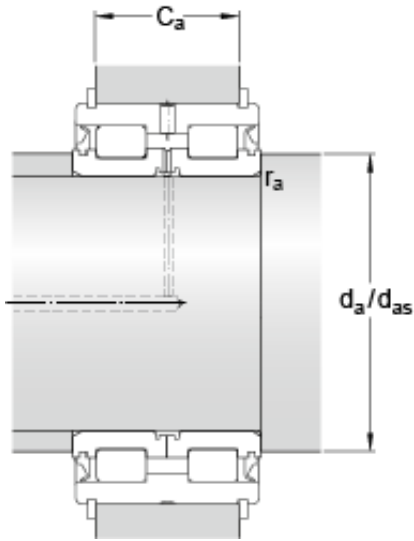




GF BEARING-SINGAPORE LTD.



319438 DA-2LS Bearing 2D drawings and 3D CAD models

190 mm x 260 mm x 80 mm skf 319438 DA-2LS
Double row full complement cylindrical roller
bearings

Bearing No. 319438 DA-2LS

| | |
|---|-----------|
| d | 190 mm |
| D | 260 mm |
| B | 80 mm |
| C | 79 mm |
| d ₁ | 218 mm |
| D ₃ | 254 mm |
| C ₁ | 73.2 mm |
| + | 0.2 mm |
| C ₂ | 2.9 mm |
| b | 5.2 mm |
| b ₁ | 7 mm |
| K | 4 mm |
| r min. | 1.8 mm |
| r _{3,4} min. | 0.6 mm |
| d _a min. | 197 mm |
| d _{as} | 214 mm |
| C _{a1} | 65 mm |
| - | 0.2 mm |
| C _{a2} | 63 mm |
| - | 0.2 mm |
| r _a max. | 1 mm |
| Basic dynamic load rating C | 550 kN |
| Basic static load rating C ₀ | 1180 kN |
| Fatigue load limit P _u | 120 kN |
| Limiting speed | 450 r/min |



GF BEARING-SINGAPORE LTD.

| | |
|--------------------------------------|---------|
| Calculation factor k_r | 0.4 |
| Mass bearing | 12.7 kg |
| Snap ring Seeger | SW 260 |
| Snap ring in accordance with DIN 471 | 260x5 |