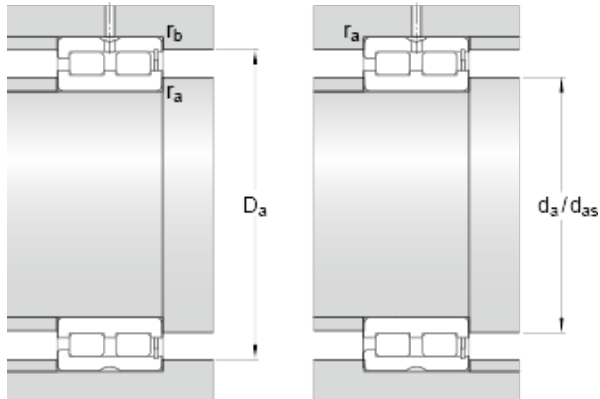




GF BEARING-SINGAPORE LTD.



35 mm x 62 mm x 36 mm skf NNCF 5007 CV
Double row full complement cylindrical roller bearings

Bearing No. NNCF 5007 CV

d	35 mm
D	62 mm
B	36 mm
d ₁	45 mm
D ₁	51.5 mm
b ₁	4.5 mm
K	3 mm
s max.	1.5 mm
r _{1,2} min.	1 mm
r _{3,4} min.	0.3 mm
d _a min.	40.2 mm
d _{as}	42.6 mm
D _a max.	57.5 mm
r _a max.	1 mm
r _b max.	0.3 mm
Basic dynamic load rating C	89.7 kN
Basic static load rating C ₀	112 kN
Fatigue load limit P _u	12.9 kN
Reference speed	5300 r/min
Limiting speed	6700 r/min
Calculation factor k _r	0.5
Mass bearing	0.46 kg

NNCF 5007 CV Bearing 2D drawings and 3D CAD models